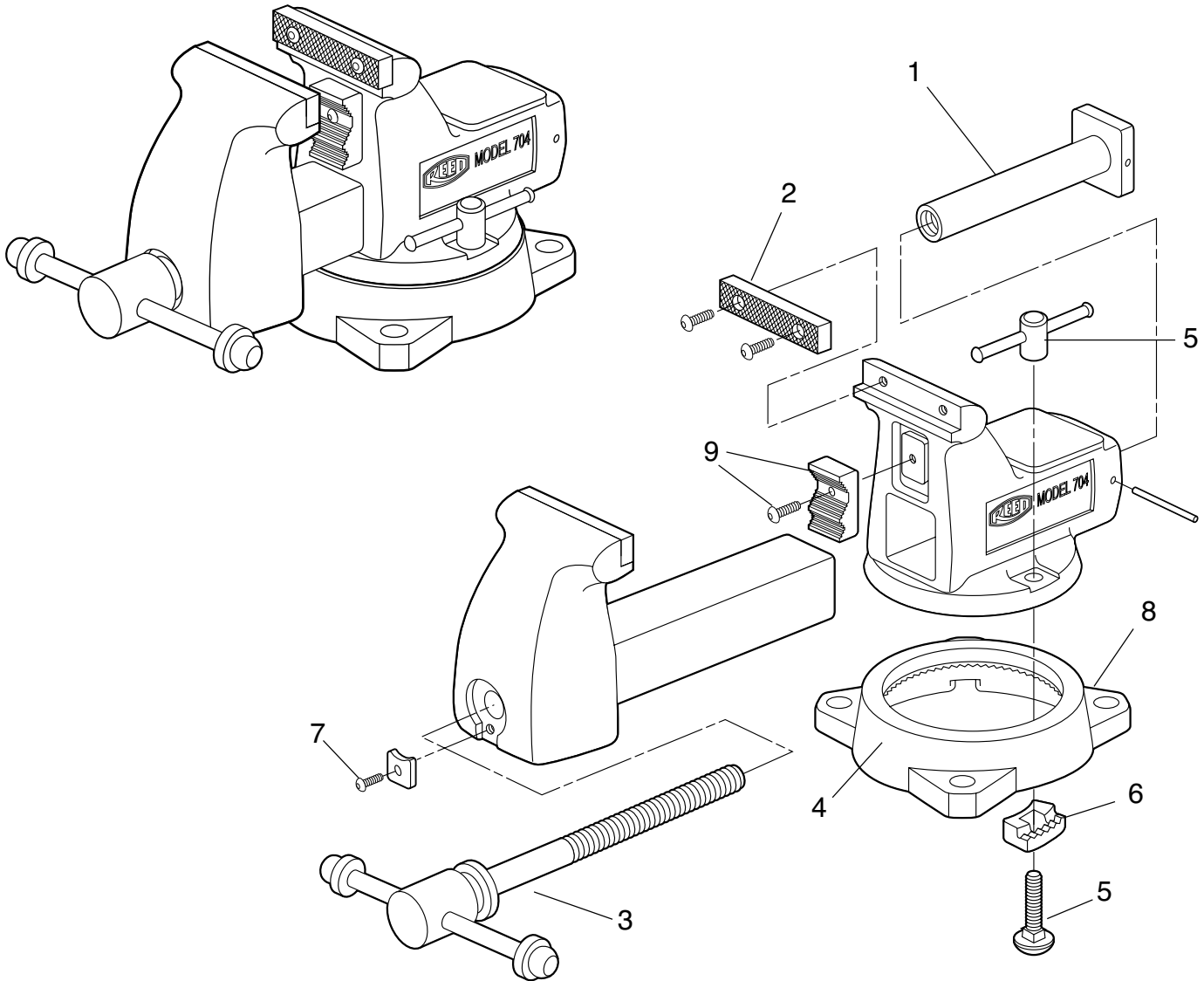




PIPE TOOLS & VISES  
SINCE 1896

# Mid-Line Vises

## Replacement Parts



### Parts List

Ref. No.	Description	Model 704 Item Code	Model 705 Item Code	Model 706 Item Code	Model 708 Item Code	Qty. Used
1	Nut	91940	91950	91960	91974	1
2	Jaw Inserts	91941	91951	91961	91972	2
3	Spindle Assembly	91942	91952	91962	91970	1
4	Outer Ring	91943	91953	91963	91977	1
5	Locknut Assembly	91945	91955	91965	91975	1
6	Locking Pad	91946	91956	91966	91976	1
7	Spindle Stop	91947	91957	91967	91971	1
8	Swivel Base	91948	91958	91968	91978	1
9	Pipe Jaw Assembly	91949	91959	91969	91973	3

Reed Manufacturing Company  
1425 West 8th Street  
Erie, PA 16502 USA



Phone: 800-666-3691 or 814-452-3691  
Fax: 800-456-1697 or 814-455-1697  
www.reedmfgco.com

RP-0916-42