

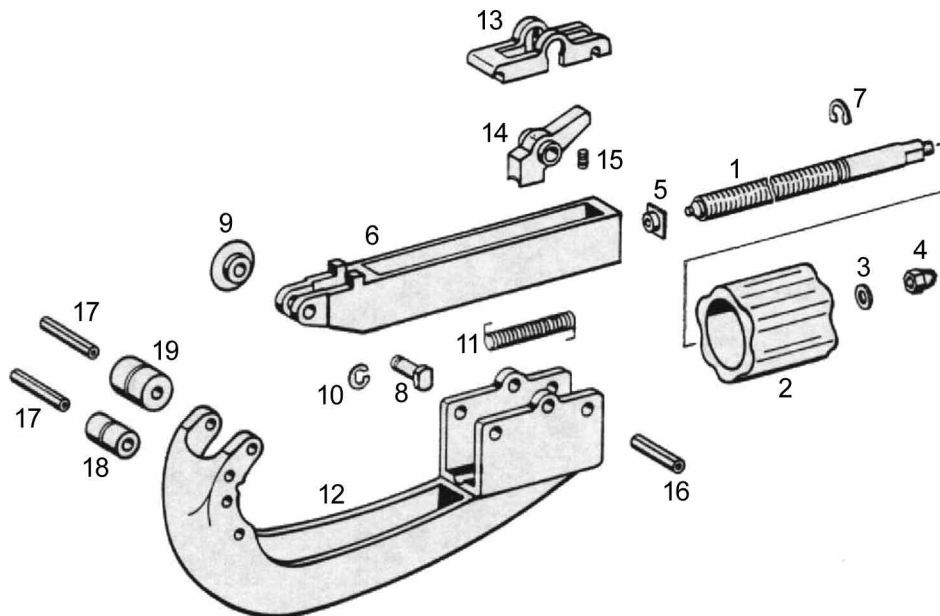
REMS RAS Cu 8-64 mm, 3/8-2 1/2"

Teileverzeichnis
Aktueller Stand
siehe www.rems.de

Spare parts list
Latest version
see www.rems.de

Liste des pièces
Situation actuelle
voir www.rems.de

Elenco dei pezzi
Ultimo aggiornamento
vedi www.rems.de



deu

eng

fra

ita

REMS RAS Cu 8-42

| deu | eng | fra | ita | |
|------------------------------|------------------------------|--------------------------|-------------------------|----------|
| 1 Spindel | Spindle | Arbre | Albero | 290053 |
| 2 Griff | Handle | Poignée | Impugnatura | 290058R |
| 3 Scheibe | Washer | Rondelle | Ranella | 086039 |
| 4 Hutmutter | Cap nut | Ecrou borgne | Dado a cappello | 085049 |
| 5 Drucklager | Thrust bearing | Palier de butée | Supporto di spinta | 290057R |
| 6 Schieber | Slide | Curseur | Cursor | 113382R |
| 7 Halbmondtring | Crescent ring | Bague d'arrêt | Anello mezzaluna | 059103 |
| 8 Schneidradachse | Cutter wheel axle | Axe molette | Asse rotella | 113414R |
| 9 Schneidrad (siehe Katalog) | Cutter wheel (see catalogue) | Molette (voir catalogue) | Rotella (vedi catalogo) | |
| 10 Sicherungsscheibe | Locking washer | Rondelle de sécurité | Ranella di sicurezza | 059088 |
| 11 Zugfeder | Traction spring | Ressort de traction | Molla di trazione | 290055 |
| 12 Bügel | Bow | Etrier | Staffa | 290051RS |
| 13 Verschluss | Sealing | Fermeture | Chiusura | 290059R |
| 14 Rastmutter | Stop nut | Ecrou d'arrêt | Dado d'arresto | 290060R |
| 15 Druckfeder | Pressure spring | Ressort de compression | Molla di compressione | 061046 |
| 16 Spiralspannstift | Spiral pin | Goupille spiralée | Spina elastica | 088195 |
| 17 Spiralspannstift | Spiral pin | Goupille spiralée | Spina elastica | 088196 |
| 18 Führungsrolle Ø 12 | Guiding roller Ø 12 | Galet de guidage Ø 12 | Rullo guida Ø 12 | 290056 |

REMS RAS Cu 8-64

| deu | eng | fra | ita | |
|-----------------------|---------------------|------------------------|-----------------------|----------|
| 1 Spindel | Spindle | Arbre | Albero | 290013R |
| 2 Griff | Handle | Poignée | Impugnatura | 290018R |
| 5 Drucklager | Thrust bearing | Palier de butée | Supporto di spinta | 290017 |
| 6 Schieber | Slide | Curseur | Cursor | 113412R |
| 7 Halbmondtring | Crescent ring | Bague d'arrêt | Anello mezzaluna | 059035 |
| 11 Zugfeder | Traction spring | Ressort de traction | Molla di trazione | 290020 |
| 12 Bügel | Bow | Etrier | Staffa | 290011RS |
| 13 Verschluss | Sealing | Fermeture | Chiusura | 290024 |
| 14 Rastmutter | Stop nut | Ecrou d'arrêt | Dado d'arresto | 290019R |
| 15 Druckfeder | Pressure spring | Ressort de compression | Molla di compressione | 153108 |
| 16 Spiralspannstift | Spiral pin | Goupille spiralée | Spina elastica | 088181 |
| 17 Spiralspannstift | Spiral pin | Goupille spiralée | Spina elastica | 088180 |
| 18 Führungsrolle Ø 12 | Guiding roller Ø 12 | Galet de guidage Ø 12 | Rullo guida Ø 12 | 290022 |
| 19 Führungsrolle Ø 18 | Guiding roller Ø 18 | Galet de guidage Ø 18 | Rullo guida Ø 18 | 290021 |