

## FE 50 DC MAGNETIC DRILLING MACHINE





**FE 50 DC magnetic drilling machine** is a compact, versatile machine. Ideal for all drilling purposes, hole cutters and/ or twist drills. This machine is supplied with auto coolant system cleverly mounted on top of the machine. The FE 50 DC is powered by a 1150 watt motor.

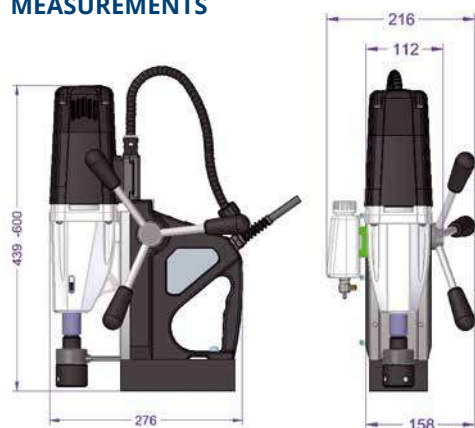
All our machines can be supplied in 110 Volt as well as in 230 Volt

Motor power:	1150 Watt
Spindle:	19 mm Weldon
Hole cutter/annular cutter	(short 30mm) ø12mm-ø50mm
Hole cutter/annular cutter	(long 55mm) ø12mm-ø50mm
RPM:	250 min-1 / 450 min-1
Stroke:	160 mm
Weight:	13 kg
Magnet power:	1500 kg
Voltage:	230V or 110/125V

Standard with cooling system.

	
max. ø 50 mm	max. ø 23 mm

### MEASUREMENTS



CE



### STANDARD DELIVERY OF MAGNETIC DRILLING MACHINE FE 50 DC CONTAINS:

FE machine with coolant system, safety strap pilot pin

safety guidelines users manual.